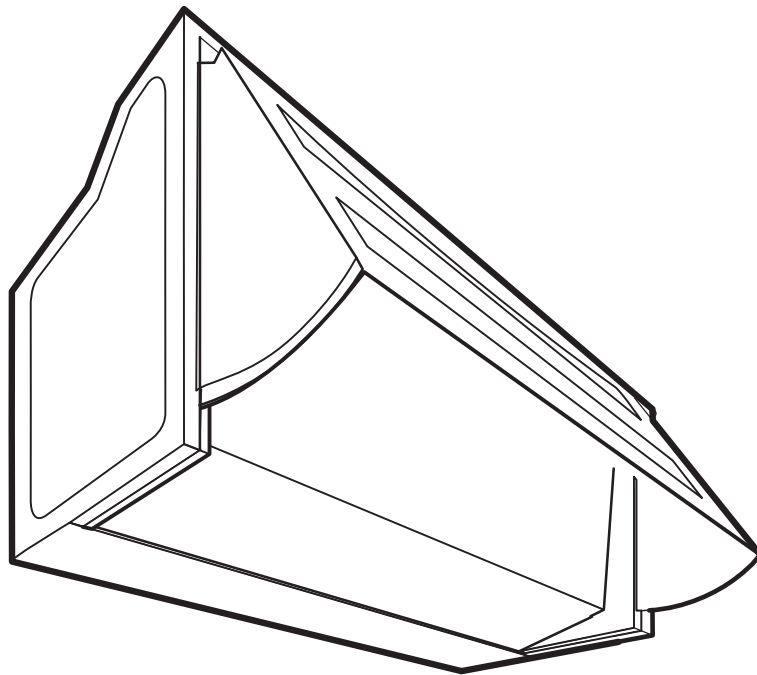




User Manual

**EFI 60011**  
**EFI 60012**  
**EFI 60013**



<b>Safety warnings</b> .....	<b>3</b>
For the installer .....	3
For the user .....	4
<b>Description of the Appliance</b> .....	<b>5</b>
Extraction mode .....	5
Recirculation mode .....	5
<b>Control Panel</b> .....	<b>6</b>
Correct ventilation .....	6
<b>Maintenance and Care</b> .....	<b>7</b>
Cleaning the hood .....	7
Grease filter .....	7
Charcoal filter .....	8
Changing the light bulbs .....	8
Special accessories .....	9
What to do if .....	9
Technical assistance service .....	10
Service and Spare Parts .....	10
Guarantee Conditions .....	11
Technical Specifications .....	12
<b>Installation</b> .....	<b>12</b>
Unpacking .....	12
Fitting .....	12
Electrical connection .....	12
Mounting accessories included .....	13
Before beginning installation .....	13
Fixing a furniture door to the visor .....	14
Fixing the hood .....	15

Before installing or using this appliance please read this instruction book carefully paying particular attention to the safety warnings on the following page.

If you have any queries regarding this appliance please contact Customer Care for advice.

Please keep this instruction book for future reference and pass it on to any future owner of the appliance.



## Safety warnings

### For the installer

- When used as an extractor unit, the hood must be fitted with a hose having preferably the same diameter as the outlet hole.

**Attention:** The hose is not supplied and must be purchased separately.

- When installing the hood, make sure you observe the following minimum distance from the top edge of the cooking hob/ring surfaces:  
**electric cookers**                    **500 mm**  
**gas cookers**                         **700 mm**  
If the instructions for installation for the gas hob specify a greater distance, this must be adhered to.
- The national Standard on fuel-burning systems specifies a maximum depression of 0.04 mbar in such rooms.
- The air outlet must not be connected to chimney flues or combustion gas ducts. The air outlet must under no circumstances be connected to ventilation ducts for rooms in which fuel-burning appliances are installed.
- The air outlet installation must comply with the regulations laid down by the relevant local authorities.
- When the unit is used in extraction mode, a sufficiently large ventilation hole must be provided, with dimensions that are approximately the same as the outlet hole.
- National and regional building regulations impose a number of restrictions on using hoods and fuel-burning appliances connected to a chimney, such as coal or oil room-heaters and gas fires, in the same room.
- Hoods can only be used safely with appliances connected to a chimney if the room and/or flat (air/environment combination) is ventilated from outside using a suitable ventilation hole approximately 500-600 cm<sup>2</sup> large to avoid the possibility of a depression being created during operation of the hood.
- If you have any doubts, contact the relevant controlling authority or building inspector's office.
- Since the rule for rooms with fuel burning appliances is "outlet hole of the same size as the ventilation hole", a hole of 500-600 cm<sup>2</sup>, which is to say a larger hole, could reduce the performance of the extractor hood.


- If the hood is used in its recirculation mode, it will operate simply and safely in the above conditions without the need for any of the aforementioned measures.
- When the hood is used in its extraction mode, the following rules must be followed to obtain optimal operation:
  - short and straight outlet hose
  - keep bends in outlet hose to a minimum
  - never install the hoses with an acute angle, they must always follow a gentle curve.
  - keep the hose as large as possible (preferably the same diameter as the outlet hole).
  - the length should be no more than:
    - 3 metres with one 90° bend
    - 2 metres with two 90° bendsBends of more than 90° will reduce the efficiency of the hood and reduce the airflow.
- Failure to observe these basic instructions will drastically reduce the performance and increase the noise levels of the extractor hood.

## For the user

- The cooker hood is designed to extract unpleasant odours from the kitchen, it will not extract steam.
- Always cover lighted elements, to prevent excess heat from damaging the appliance. In the case of oil, gas and coal fired cookers it is essential to avoid open flames.
- Also, when frying, keep the deep frying pan on the cooker top/cooker under careful control.
- The hot oil in the frying pan might ignite due to overheating.
- The risk of self-ignition increases when the oil being used is dirty.
- It is extremely important to note that overheating can cause a fire.
- **Never carry out any flambé cooking under the hood.**
- **Always disconnect the unit from the power supply before carrying out any work on the hood, including replacing the light bulb** (take the cartridge fuse out of the fuse holder or switch off the automatic circuit breaker).
- **It is very important to clean the hood and replace the filter at the recommended intervals. Failure to do so could cause grease deposits to build up, resulting in a fire hazard.**
- The appliance is not intended for use by young children or infirm persons without supervision.
- Older children must be supervised if using the appliance.
- Young children should be supervised to ensure that they do not play with the appliance.
- **WARNING** - Ensure that the appliance is switched off before replacing the lamp to avoid the possibility of electric shock.

This appliance is marked according to the European directive 2002/96/EC on Waste Electrical and Electronic Equipment (WEEE). By ensuring this product is disposed of correctly, you will help prevent potential negative consequences for the environment and human health, which could otherwise be caused by inappropriate waste handling of this product.



The symbol  on the product, or on the documents accompanying the product, indicates that this appliance may not be treated as household waste. Instead it shall be handed over to the applicable collection point for the recycling of electrical and electronic equipment. Disposal must be carried out in accordance with local environmental regulations for waste disposal. For more detailed information about treatment, recovery and recycling of this product, please contact your local city office, your household waste disposal service or the shop where you purchased the product.

# Description of the Appliance

- The cooker hood is designed to extract unpleasant odours from the kitchen, it will not extract steam.
- The hood is supplied as an extractor unit and can also be used with a recirculation mode by fitting a charcoal filter.

## Attention!

- EFI 60011 - EFI 60012: one charcoal filter
- EFI 60013: two charcoal filters

## Extraction mode

- In this mode fumes are extracted to the outside via a hose connected to the coupling ring.

### Fig. 1

Note: The coupling ring may be placed on the top or on the rear exhaust according to the needs.

- In order to obtain the best performance the hose should have a diameter equal to the outlet hole.

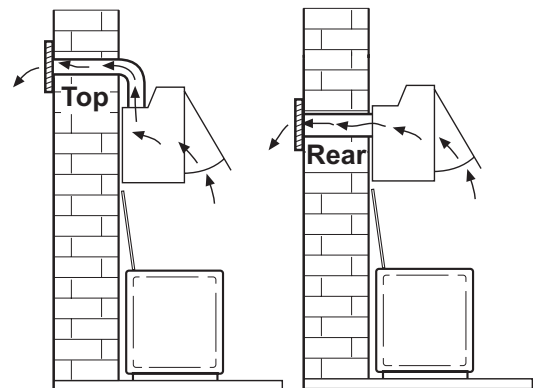
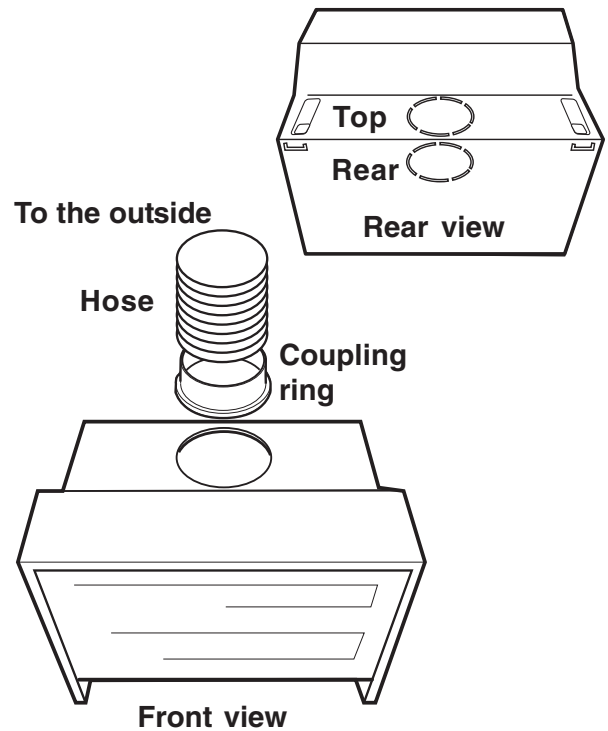


Fig. 1

## Recirculation mode

- The air is filtered through a charcoal filter and returned to the kitchen. Fig. 2

## Attention!

- EFI 60011 - EFI 60012: one charcoal filter
- EFI 60013: two charcoal filters

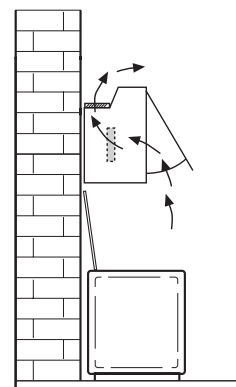


Fig. 2

# Control Panel

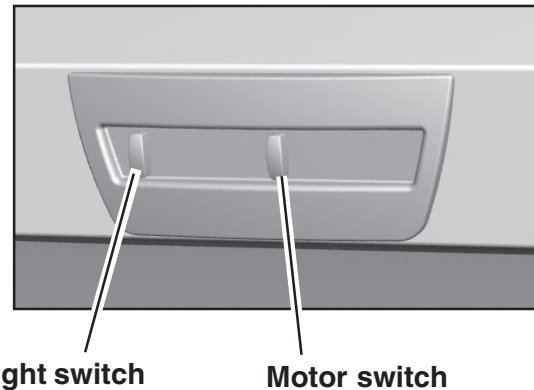
- Best results are obtained by using a low speed for normal conditions and a high speed when odours are more concentrated.  
Turn the hood on a few minutes before you start cooking.  
The hood should be left on after cooking for about 15 minutes or until all the odours have disappeared.  
The control switches are located on the unit's front panel:
- the **light switch** switches the hood lamp on and off
- the **motor switch** switches the motor on and off, enabling you to select one of the three different speeds.

The hood is also equipped with a micro-switch which can be found under the lower runner of the visor on the right hand side.

With this micro-switch, the appliance may be automatically switched on and off by opening and closing the pull-out panel, but only if the fan speed has already been set and the light switch is turned to "I".

## Correct ventilation

If the cooker hood is to work correctly there must be an under pressure in the kitchen. It is important to keep the kitchen windows closed and have a window in an adjacent room open.



**Fig. 3**

# Maintenance and Care

- The hood must always be disconnected from the electricity supply before beginning any maintenance work.

## Cleaning the hood

- Clean the outside of the hood using a damp cloth and a solution of water and mild washing up liquid.
- Never use corrosive, abrasive or flammable cleaning products or products containing bleach.
- Never insert pointed objects in the motor's protective grid.
- Only ever clean the switch panel and filter grill using a damp cloth and mild washing up liquid.
- It is extremely important to clean the unit and change the filters at the recommended intervals. Failure to do so will cause grease deposits to build up that could constitute a fire hazard.

## Grease filter

- The purpose of the grease filters is to absorb grease particles which form during cooking and it **must** always be used, either in the external extraction or internal re-circulation function.
- **EFI 60011 only:**  
The synthetic filter is very thin (approx. 1 mm) and positioned on the inside of its related support grill.  
The filter should be changed once a month.  
The grill should be cleaned with luke warm water and non-abrasive detergent when you change the filter.  
The grease filter can be ordered from your local Service Force Centre.
- **EFI 60012 - EFI 60013 only:**  
The metal grease filters must be removed and washed, either by hand or in the dishwasher, every four weeks.

### Hand washing

Soak grease filters for about one hour in hot water with a grease-loosening cleaner, then rinse off thoroughly with hot water. Repeat the process if necessary. Refit the grease filters when they are dry.

### Dishwasher

Place grease filters in the dishwasher. Select most powerful washing programme and highest temperature, at least 65°C. Repeat the process. Refit the grease filters when they are dry. When washing the metal grease filter in the dishwasher a slight discolouration of the filter can occur, this does not have any impact on its performance.

- **Opening the grill (EFI 60011) or the metal grease filter (EFI 60012 - EFI 60013):**  
Move the handles upwards, then extract the grill/filter outwards. **Fig. 4**  
**To refit the grill (EFI 60011) or the metal grease filter (EFI 60012 - EFI 60013):** fit above on the appropriate supports, and fixed in the lower part with the handles. **Fig. 4**
- **Removing the synthetic filter:**  
Remove the stops to take out the filter. **Fig. 5**.
- Clean the inner housing using a hand hot solution only (never use caustic detergents, abrasive powders or brushes).

## Warning

- Failure to observe the instructions on cleaning the unit and changing the filters will cause a fire hazard. You are therefore strongly recommended to follow these instructions.
- The manufacturer declines all responsibility for any damage to the motor or any fire damage linked to inappropriate maintenance or failure to observe the above safety recommendations.

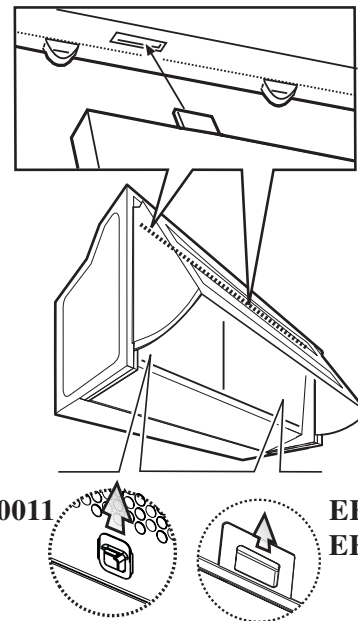


Fig. 4

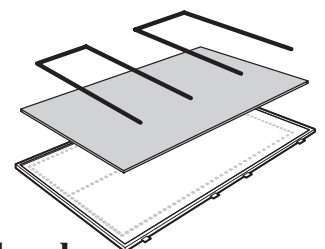


Fig. 5 - EFI 60011 only

## Charcoal filter

- The charcoal filter should only be used if you want to use the hood in recirculation mode.
- The charcoal filter cannot be washed nor regenerated.

The charcoal filter should be replaced every 4 months under normal use.

Replacement filters are available from your local Service Force Centre.

### Fitting - Fig. 6

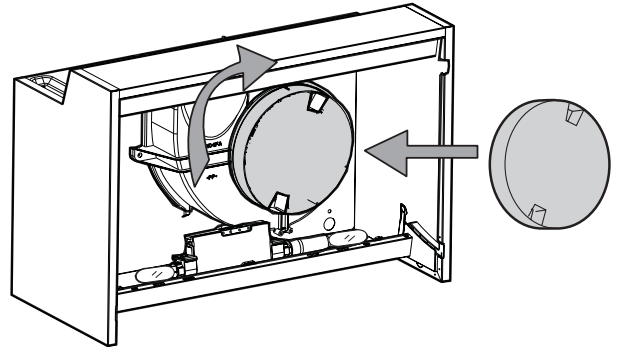
Remove the grill or the metal grease filter.

Place the charcoal filter to cover the grill that protects the extraction motor so that the slots on the filter correspond to the pins on the sides of the motor protection grill.

Turn the filter clockwise in order to lock the filter into position.

Remount the grid or the metal grease filter.

- **To remove** proceed in the reverse order.
- Always specify the hood model code number and serial number when ordering replacement filters. This information is shown on the rating plate located on the inside of the unit.
- The charcoal filter can be ordered from your local Service Force Centre.



**Fig. 6 - EFI 60011 - EFI 60012  
EFI 60013 = 2 charcoal filters**

## Changing the light bulbs

- **Disconnect the cooker hood from the mains supply.**
- Remove the grill or the metal grease filter.
- Replace the old bulb with a new one of the same type.
- Remount the grid or the metal grease filter.
- If the light does not come on, make sure the bulb has been inserted in correctly before contacting your local Service Force Centre.



# Special accessories

Charcoal filter type 29

## What to do if

If your appliance fails to work properly please carry out the following checks.

Symptom	Solution
The cooker hood will not start...	Check that: The hood is connected to the electricity supply. Check that a fan speed has been selected
The cooker hood is not working	Check that: The fan speed is set high enough for the task. The grease filters are clean. The kitchen is adequately vented to allow the entry of fresh air. If set up for recirculation, check that the charcoal filter is still effective. If set up for extraction, check that the ducting and outlets are not blocked.
The cooker hood has switched off during operation...	The safety cut-out device has been tripped. Turn off the hob and then wait for the device to reset. If the hood has been installed below the heights indicated in the installation instructions the motor will cut-out frequently which will damage the hood.

If after all these checks, the problem persists, contact your local Service Force Centre, quoting the model and serial number.

Please note that it will be necessary to provide proof of purchase for any in-guarantee service calls.

In-guarantee customers should ensure that the above checks have been made as the engineer will make a charge if the fault is not a mechanical or electrical breakdown.

# Technical assistance service

You are welcome to telephone our technical assistance service (see list of technical assistance centres) whenever you need information or in the unlikely event of a fault.

For service in Australia call 1300 650 020.

When calling, please be ready to specify:

1. **The model code number**
2. **The serial number (E-Nr.)**
3. **The manufacturing number (F-Nr.)**

**This information is shown on the registration plate inside the unit behind the grease filter.**

We reserve the right to change specifications and colours as a result of our policy of continuing technological development.

## Service and Spare Parts

In the event of your appliance requiring service, or if you wish to purchase spare parts, contact your local Service Force Centre by telephoning: **08705 929 929**

Your call will be automatically routed to the Service Centre covering your post code area. For the address of your local Service Force Centre and further information about Service Force, please visit the website at [www.serviceforce.co.uk](http://www.serviceforce.co.uk)

Please ensure that you have read the section "What to do if..." as the engineer will make a charge if the fault is not a mechanical or electrical breakdown even the appliance is under warranty. **Please note that proof of purchase is required for in-guarantee service calls.**

### Help us to help you

Please determine your type of enquiry before writing or telephoning.

When you contact us we need to know:

- Your name
- Address and post code
- Telephone number
- Clear and concise details of the fault
- Name and model of the appliance\*
- E number\*
- Serial number\*

\* This information can be found on the rating plate, which can be seen when the grease filters are removed.

**If you require Customer Service in the Republic of Ireland please contact us at the address below:**

Electrolux  
Electrolux Group (Ire) Ltd  
Long Mile Road  
Dublin 12  
Republic of Ireland

Tel: + 353 (0) 1 4090751

Email: [service.eid@electrolux.ie](mailto:service.eid@electrolux.ie)

## CUSTOMER CARE DEPARTMENT

For general enquiries concerning your ELECTROLUX appliance or for further information on ELECTROLUX products, please contact our Customer Care Department by letter or telephone at the address below or visit our website at [www.electrolux.co.uk](http://www.electrolux.co.uk)

Customer Services Department  
Major Appliances  
Electrolux  
Addington Way  
Luton  
Bedfordshire  
LU4 9QQ  
08705 950 950 (\*)

\* calls to this number may be recorded for training purposes.

# Guarantee Conditions

## Standard guarantee conditions

We, Electrolux, undertake that if within 12 months of the date of the purchase this Electrolux appliance or any part thereof is proved to be defective by reason only of faulty workmanship or materials, we will, at our option repair or replace the same FREE OF CHARGE for labour, materials or carriage on condition that:

The appliance has been correctly installed and used only on the electricity supply stated on the rating plate.

The appliance has been used for normal domestic purposes only, and in accordance with the manufacturer's instructions.

The appliance has not been serviced, maintained, repaired, taken apart or tampered with by any person not authorised by us.

All service work under this guarantee must be undertaken by an Electrolux Service Force Centre. Any appliance or defective part replaced shall become the Company's property.

This guarantee is in addition to your statutory and other legal rights.

Home visits are made between **8.30am and 5.30pm** Monday to Friday.

Visits may be available outside these hours in which case a **premium** will be charged.

## Exclusions

### **This guarantee does not cover:**

Damage or calls resulting from transportation, improper use or neglect, the replacement of any light bulbs or removable parts of glass or plastic.

Costs incurred for calls to put right an appliance which is improperly installed or calls to appliances outside the European Community (EC) or European Free Trade Area.

Appliances found to be in use within a commercial environment, plus those which are subject to rental agreements.

Products of Electrolux manufacture which are not marketed by Electrolux.

## European Guarantee

If you should move to another country within Europe then your guarantee moves with you to your new home subject to the following qualifications:

The guarantee starts from the date you first purchased your product.

The guarantee is for the same period and to the same extent for labour and parts as exists in the new country of use for this brand or range of products.

This guarantee relates to you and cannot be transferred to another user.

Your new home is within the European Community (EC) or European Free Trade Area.

The product is installed and used in accordance with our instructions and is only used domestically, i.e. a normal household.

The product is installed taking into account regulations in your new country.

Before you move please contact your nearest Customer Care centre, listed below, to give them details of your new home. They will then ensure that the local Service Organisation is aware of your move and able to look after you and your appliances.

France	Senlis	+33 (0)3 44 62 20 13
Germany	Nürnberg	+49 (0)800 234 7378
Italy	Pordenone	+39 (0) 800 117511
Sweden	Stockholm	+46 (0)20 78 77 50
UK	Luton	+44 (0) 8705 950 950

# Technical Specifications

Model	EFI 60011	EFI 60012	EFI 60013
<b>Dimensions (in cm):</b>			
Height:	400	400	400
Width:	559	599	559
Depth:	270	270	270
<b>Maximum absorbed power:</b>	180 W	220 W	380 W
Motor:	100 W	140 W	2 x 150 W
Lighting:	2x40 W	2x40 W	2 x 40W
<b>Electrical connection:</b>	<b>220-240W</b>	<b>220-240W</b>	<b>220-240W</b>
<b>Fuse rating:</b>	<b>5A T</b>	<b>5AT</b>	<b>5A T</b>

Subject to change without notice.

## Installation

### Unpacking

Check that the cooker hood has no damages. Transportation damages should immediately be reported to the company responsible for the transportation.

Damages, faults and eventually missing details should immediately be reported to the retailer. Take care of the packing materials so that small children cannot play with them.

### Fitting

The hood is to be mounted on the wall. When installed, the hood must be no less than 50 cm. above electric burners or 70 cm. above gas or mixed-fuel burners. The hood can be installed above these heights but for optimum performance it should be installed at the distance quoted for the appropriate heat source.

### Electrical connection (not for UK)

#### Safety warnings for the electrician

Before connecting the appliance to the power supply, check that the voltage indicated on the rating plate corresponds to the mains power supply available. Appliances fitted with a plug can be connected to any standard power socket within easy access.

**Attention: substituting the supply cable must be carried out by an authorised electrician.**

Should it be necessary to provide a fixed connection, the hood must only be installed by an electrician authorised by the local electricity board. When installing, an omnipolar disconnector with a distance of at least 3 mm between contacts must be provided.

Fixed connection of the appliance must only be carried out by an authorised electrician.

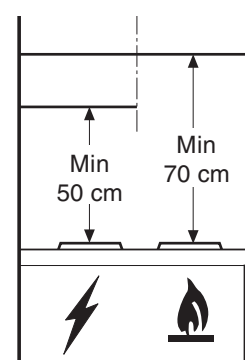


Fig. 7

### Electrical connection for UK only

#### Safety warnings for the electrician

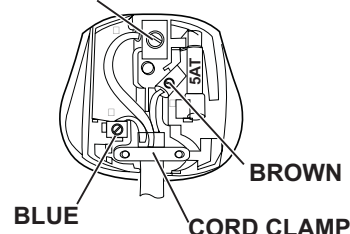
Connect the hood to the mains supply via a double pole switch which has 3 mm minimum separation between the contacts.

The switch must be accessible at all times.

The following is valid in the United Kingdom only:

- the wire which is coloured blue must be connected to the terminal which is marked with the letter N or coloured black,
- the wire which is coloured brown must be connected to the terminal which is marked with the letter L or coloured red.
- **EFI 60013 Only:** the wire which is coloured green and yellow must be connected to the terminal which is marked with the letter E or by the earth symbol ( $\perp$ ), or coloured green or green and yellow;

#### GREEN & YELLOW EFI 60013 Only

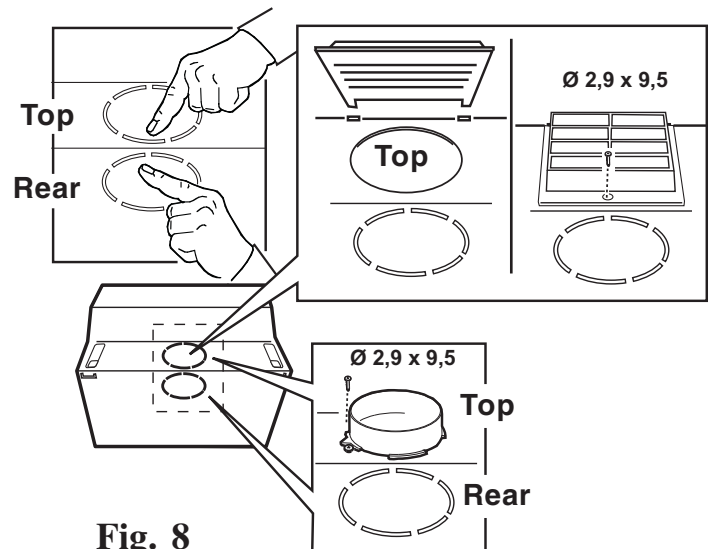


## Mounting accessories included

- 1 spacer
- 2 brackets
- 2 hooks
- 1 deflector
- 2 plastic washers for the spacer
- 2 wall plugs
- 1 screw 2,9x9,5 to affix the deflector/coupling ring on the outlet hole
- 4 screws 4.5 x 16 (to affix the cooker hood sideways)
- 8 screws 4.5 x 13 (to affix a wooden panel to the cabinet door).
- 2 screws 3.5 x 9.5 (to affix the spacer to the cooker hood)
- 2 screws 5 x 45 (fixing the hooks)
- 1 coupling ring Ø 120 mm
- 2 screws 5x18
- 2 screws 5x10 to fix the brackets
- 2 bushes to fix the brackets

## Before beginning installation

- Remove and keep the extraction grill or the metal grease filter.  
**Note:** This is to be mounted once installation is completed.
- Remove and keep the charcoal filter/s (see also relative paragraph).  
**Note:** This/these is/are to be mounted only if you want to use the hood in the recirculation mode.
- In addition check whether near the installation area of the hood (in the area accessible also with the hood mounted) an electric connection to the mains is available and if it is possible to connect a fumes discharge device to the outside (Extraction mode only).
- **Choose the exhaust hole to use- Fig. 8:**  
**Only recirculation mode: use ONLY the top exhaust hole.**  
Check that this, once installation is completed, is not obstructed and that there is sufficient space so that the purified fumes and steam can return easily into the kitchen.  
Press with decision to take away the prefabricated part (Top or Rear) that closes the exhaust hole and remove it.  
Install the connection ring on the open discharge outlet (bayonet attachment - (Extraction mode only) or the deflector. (recirculation mode only).



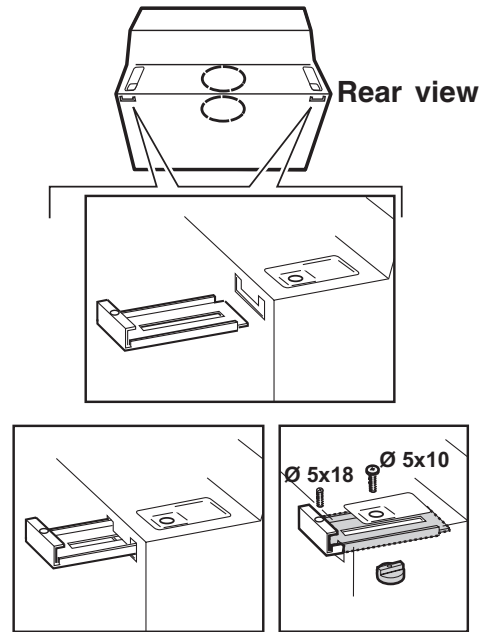
**Fig. 8**

- Check that the side wall units between which to install the hood are sufficiently heavy for installing the hood.

Otherwise mount the brackets to use as additional supports:

- Insert each bracket from the rear inside the hood through the opposite slots.
- Fix the brackets with the screws and threaded bushes.  
Screw the headless screws halfway.  
They will serve to adjust the position of the hood at the moment of installation. **Fig. 9**

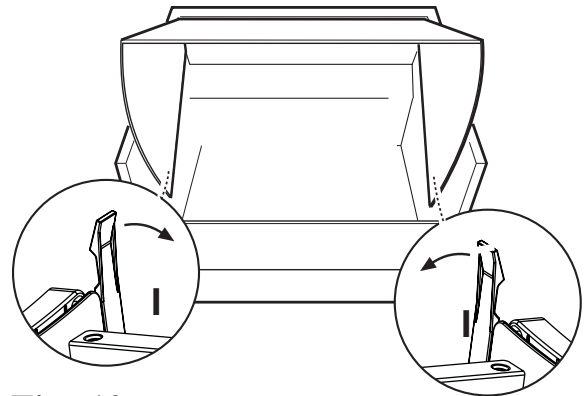
**Note:** the position of the brackets can be adjusted during installation, suitably loosening and retightening the screws that fix them to the hood.



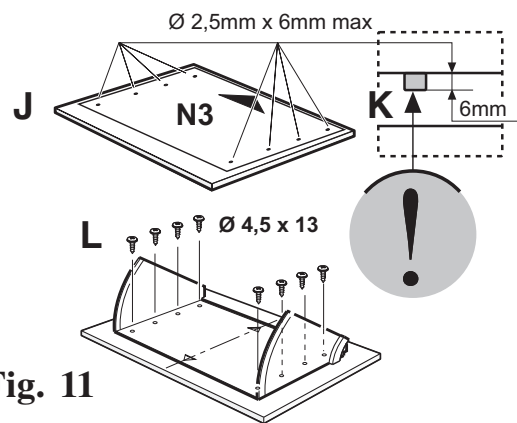
**Fig. 9**

## Fixing a furniture door to the visor

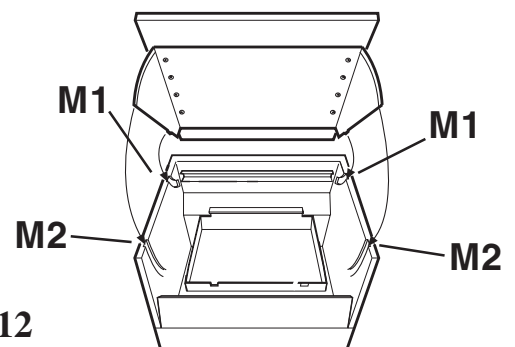
- Remove the extraction grill or the metal grease filter.
- Remove the visor (freeing the locking releases **Fig. 10, I**).
- Apply the drill holes diagram N3 on the rear of the furniture door (**Fig. 11, J**-the arrow on the diagram should face the upper border of the furniture door), perform blind holes as indicated (**K-Fig. 11**).
- Place the visor over the furniture door and affix with 8 screws (**Fig. 11, L**).
- Refit the cover on the cooker hood firstly in the upper track (**Fig. 12-M1**), then in the lower track (**Fig. 12-M2**).



**Fig. 10**



**Fig. 11**



**Fig. 12**

## Fixing the hood

- Use template **N2**. Position the template on the front edges of the wall unit (right wall unit, B side) – (left wall unit, C side) **WITHOUT CONSIDERING THE THICKNESS OF THE FRONT WALL UNIT DOORS**, and make the holes as indicated. **Fig. 13**
- **If the side wall units are not heavy enough ONLY:**
  - a. If necessary, fix the hood to the wall, putting template **N1** on the wall so its upper edge coincides with the upper edge of template **N2**. **Fig. 13-14**
  - b. Make the holes as indicated.  
Fix 2 hooks **R** to the wall with screws and dowels. **Fig. 14**
  - c. Hang the hood onto the hooks and adjust the position of the hood with headless screws **S1** and adjusting the position of the hooking brackets with screws **S2**. **Fig. 14**
- Fix the hood to the side wall units with 4 screws **P**. **Fig. 13**
- Mount the lower corner **Q** (\*) to the hood with two screws and plastic washers **T**. They will serve to cover possible spaces between the rear of the hood and the wall. **Fig. 13-14.**
- Fit the charcoal filter/s (Recirculation mode ONLY).
- Fit the grill or the metal grease filters.

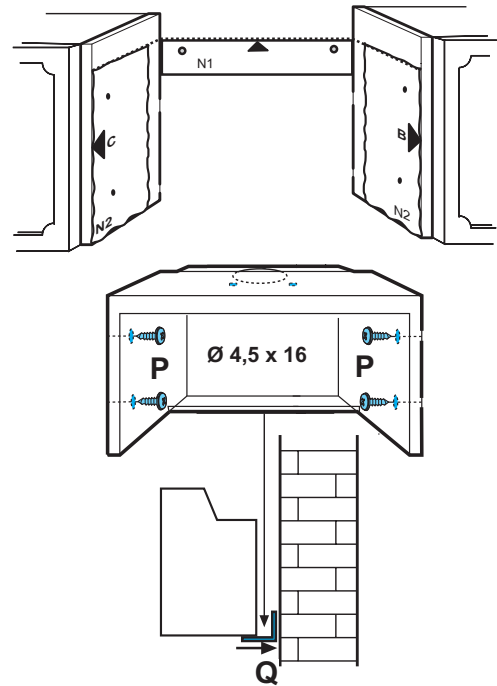


Fig. 13

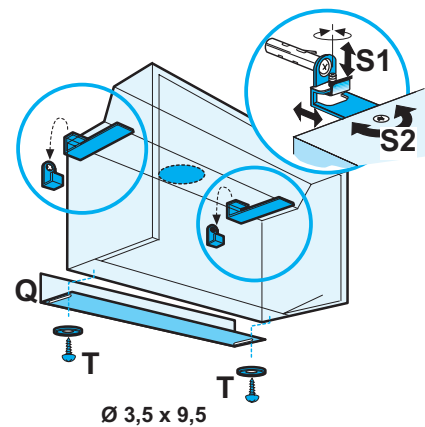
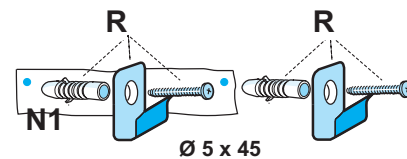


Fig. 14



 **The Electrolux Group. The world's No.1 choice.**

*The Electrolux Group is the world's largest producer of powered appliances for kitchen, cleaning and outdoor use. More than 55 million Electrolux Group products (such as refrigerators, cookers, washing machines, vacuum cleaners, chain saws and lawn mowers) are sold each year to a value of approx. USD 14 billion in more than 150 countries around the world.*