



L 61271 BI
L 61470 BI

EN User manual



 **AEG**
perfekt in form und funktion

CONTENTS

1. SAFETY INFORMATION	3
2. SAFETY INSTRUCTIONS	4
3. TECHNICAL INFORMATION	5
4. PRODUCT DESCRIPTION	6
5. CONTROL PANEL	7
6. WASHING PROGRAMMES	9
7. CONSUMPTION VALUES	12
8. FIRST USE	13
9. USING THE APPLIANCE	13
10. HELPFUL HINTS AND TIPS	17
11. CARE AND CLEANING	18
12. TROUBLESHOOTING	23
13. INSTALLATION	26
14. BUILDING IN	33

FOR PERFECT RESULTS

Thank you for choosing this AEG product. We have created it to give you impeccable performance for many years, with innovative technologies that help make life simpler – features you might not find on ordinary appliances. Please spend a few minutes reading to get the very best from it.

Visit our website for:



Get usage advice, brochures, trouble shooter, service information:
www.aeg.com



Register your product for better service:
www.aeg.com/productregistration



Buy Accessories, Consumables and Original spare parts for your appliance:
www.aeg.com/shop

CUSTOMER CARE AND SERVICE

We recommend the use of original spare parts.
When contacting Service, ensure that you have the following data available.
The information can be found on the rating plate. Model, PNC, Serial Number.



Warning / Caution-Safety information



General information and tips



Environmental information

Subject to change without notice.

1. SAFETY INFORMATION

Before the installation and use of the appliance, carefully read the supplied instructions. The manufacturer is not responsible if an incorrect installation and use causes injuries and damages. Always keep the instructions with the appliance for future reference.

1.1 Children and vulnerable people safety



WARNING!

Risk of suffocation, injury or permanent disability.

- This appliance can be used by children aged from 8 years and above and persons with reduced physical, sensory or mental capabilities or lack of experience and knowledge if they have been given supervision or instruction concerning use of the appliance in a safe way and understand the hazards involved.
- Do not let children play with the appliance.
- Keep all packaging away from children.
- Keep all detergents away from children.
- Keep children and pets away from the appliance door when it is open.
- If the appliance has a child safety device, we recommend you activate it.
- Cleaning and user maintenance shall not be made by children without supervision.

1.2 General Safety

- Before maintenance, deactivate the appliance and disconnect the mains plug from the mains socket.
- Do not change the specification of this appliance.
- Obey the maximum load volume of 7 kg (refer to the "Programme chart" chapter).

- If the supply cord is damaged, it must be replaced by the manufacturer, its service agent or similarly qualified persons in order to avoid a hazard.
- The operating water pressure (minimum and maximum) must be between 0,5 bar (0,05 MPa) and 8 bar (0,8 MPa)
- The ventilation openings in the base (if applicable) must not be obstructed by a carpet.
- The appliance is to be connected to the water mains using the new supplied hose-sets. Old hose sets must not be reused.

2. SAFETY INSTRUCTIONS

2.1 Installation

- Remove all the packaging and the transit bolts.
- Keep the transit bolts. When you move the appliance again you must block the drum.
- Do not install or use a damaged appliance.
- Do not install or use the appliance where the temperature is less than 0 °C or where it is exposed to the weather.
- Obey the installation instruction supplied with the appliance.
- Make sure that the floor where you install the appliance is flat, stable, heat resistant and clean.
- Do not install the appliance where the appliance door can not be fully opened.
- Always be careful when you move the appliance because it is heavy. Always wear safety gloves.
- Make sure that there is air circulation between the appliance and the floor.
- Adjust the feet to have the necessary space between the appliance and the carpet.

Electrical connection



WARNING!

Risk of fire and electrical shock.

- The appliance must be earthed.
- Make sure that the electrical information on the rating plate agrees with the power supply. If not, contact an electrician.
- Always use a correctly installed shock-proof socket.
- Do not use multi-plug adapters and extension cables.
- Make sure not to cause damage to the mains plug and to the mains cable. Should the appliance power supply cable need to be replaced, this must be carried out by our Service Centre.
- Connect the mains plug to the mains socket only at the end of the installation. Make sure that there is access to the mains plug after the installation.
- Do not pull the mains cable to disconnect the appliance. Always pull the mains plug.
- Do not touch the mains cable or the mains plug with wet hands.
- Only for UK and Ireland. The appliance has a 13 amp mains plug. If it is necessary to change the fuse in the

mains plug, use a 13 amp ASTA (BS 1362) fuse.



This appliance complies with the E.E.C. Directives.

Water connection

- Make sure not to cause damage to the water hoses.
- The appliance is to be connected to the water mains using the new supplied hose-sets. Old hose sets must not be reused.
- Before you connect the appliance to new pipes or pipes not used for a long time, let the water flow until it is clean.
- The first time you use the appliance, make sure that there is no leakage.

2.2 Use



WARNING!

Risk of injury, electrical shock, fire, burns or damage to the appliance.

- Use this appliance in a household environment.
- Do not change the specification of this appliance.
- Obey the safety instructions on the detergent packaging.
- Do not put flammable products or items that are wet with flammable products in, near or on the appliance.

- Do not touch the glass of the door while a programme operates. The glass can be hot.
- Make sure that you remove all metal objects from the laundry.
- Do not put a container to collect possible water leakage under the appliance. Contact the Service to ensure which accessories can be used.

2.3 Care and Cleaning



WARNING!

Risk of injury or damage to the appliance.

- Before maintenance, deactivate the appliance and disconnect the mains plug from the mains socket.
- Do not use water spray and steam to clean the appliance.
- Clean the appliance with a moist soft cloth. Only use neutral detergents. Do not use abrasive products, abrasive cleaning pads, solvents or metal objects.

2.4 Disposal



WARNING!

Risk of injury or suffocation.

- Disconnect the appliance from the mains supply.
- Cut off the mains cable and discard it.
- Remove the door catch to prevent children and pets to get closed in the appliance.

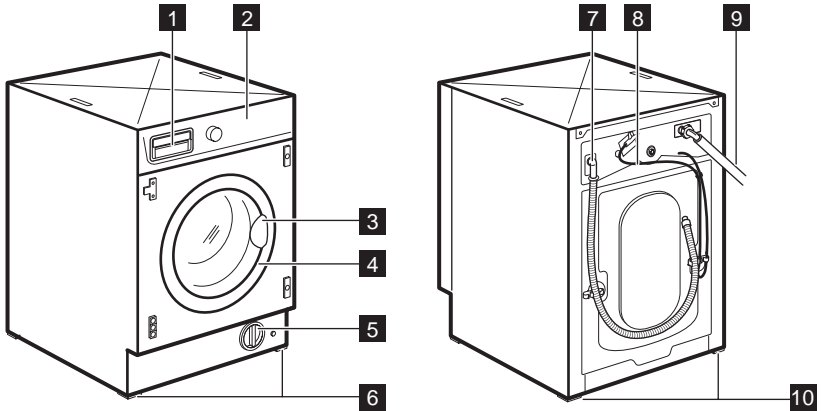
3. TECHNICAL INFORMATION

Dimensions	Width / Height / Depth	596 / 820 / 544 mm
	Total depth	550 mm
Electrical connection:	Voltage	230-240 V
	Overall power	2050 W
	Fuse	13 A
	Frequency	50 Hz

Level of protection against ingress of solid particles and moisture ensured by the protective cover, except where the low voltage equipment has no protection against moisture		IPX4
Water supply pressure	Minimum	0,5 bar (0,05 MPa)
	Maximum	8 bar (0,8 MPa)
Water supply ¹⁾	Cold water	
Maximum load	Cotton	7 kg
Spin speed	Maximum	1200 rpm (L 61271 BI)
		1400 rpm (L 61470 BI)

¹⁾ Connect the water inlet hose to a water tap with a 3/4" thread.

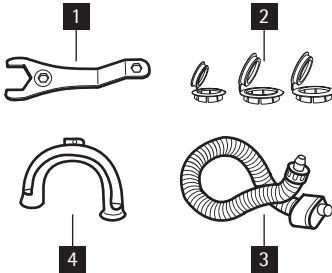
4. PRODUCT DESCRIPTION



- 1** Detergent dispenser
- 2** Control panel
- 3** Door handle
- 4** Rating plate
- 5** Drain pump

- 6** Feet for the appliance level
- 7** Water drain hose
- 8** Mains cable
- 9** Water inlet hose
- 10** Feet for the appliance level

4.1 Accessories



1 Spanner

To remove the transit bolts.

2 Plastic caps

To close the holes on the rear side of the cabinet after the removal of the transit bolts.

3 Anti-flood inlet hose

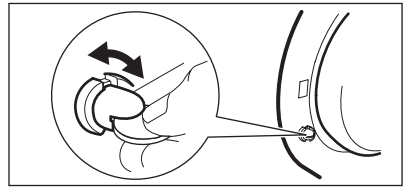
To prevent possible leakage

4 Plastic hose guide

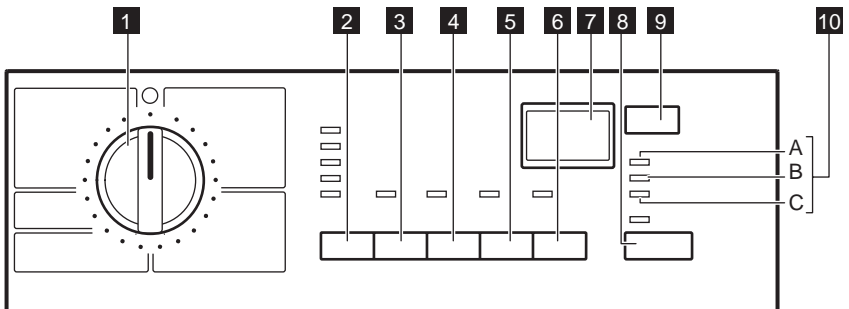
To connect the drain hose on the edge of a sink.

4.2 Child safety device

- When you activate this device, you cannot close the door. This prevents children or pets to be closed in the drum. To activate the device, turn it clockwise, until the groove is horizontal. To deactivate the device, turn it counterclockwise, until the groove is vertical.



5. CONTROL PANEL



1 Programme selector dial

2 TEMPERATURE button

3 SPIN button

- Rinse hold position

4 STAIN button

5 EXTRA RINSE button

6 TIME SAVE button

7 Display

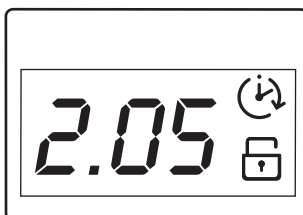
8 START/PAUSE button

9 DELAY START button

10 Indicator pilot lights:

- A – Washing phase
- B – Door locked
- C – Extra Rinse

5.1 Display



The display shows the following information:

2.05

Duration of the set programme

When you set a programme, the display shows the duration in hours and minutes (for example **2.05**).

The duration is calculated automatically on the maximum load for each type of fabric.

After the programme has started, the time remaining is updated every minute.

Alarm codes

In the event of operating problems, some alarm codes can be displayed, for example **E20** (see chapter «Troubleshooting»).

End of programme

When the programme has finished, the display shows a blinking zero **0**.

The DOOR light **B**, the WASHING light **A** and the light of button **8** go out.

The door can be opened.

Incorrect option selection

If you set an option which is not compatible with the wash programme, the display shows the message **Err** for some seconds. The yellow pilot light of button **8** light starts blinking.

Delay Start

When you press the relevant button to set the delay (20 hours max), it appears for some seconds, then the display shows the duration of the set programme.

The delay time value decreases by one unit every hour. When only 1 hour remains, the time decreases every minute.



Delay Start symbol

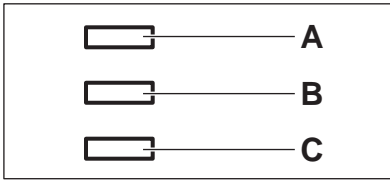
This symbol comes on when you set the delay time.



Child safety lock

This symbol comes on when you activate the child lock function.

5.2 Indicator pilot lights



After you have pressed the button **8**, the WASHING light (**A**) comes on. The machine is operating.

The DOOR light (**B**) indicates when the door can be opened:

- light on: the door cannot be opened
- light blinking: the door is opening in some minutes
- light off: the door can be opened

When the appliance is performing additional rinses The EXTRA RINSE light (**C**) comes on.

5.3 Acoustic signals

The machine is provided with an acoustic device, which sounds in the following cases:

- at the end of the cycle
- in the event of operating problems. By pressing the **3** and **4** buttons simultaneously for some seconds, the acoustic signal is deactivated (except for the events of operating problems). By pressing these two buttons again, the acoustic signal is reactivated.

5.4 Child safety lock

This device permits you to leave the appliance unsupervised and not to worry


that children might be injured by or cause damage to the appliance.

This function remains able also when the washing machine is not working.

There are two different ways to set this option:


- Before pressing button **8**: it will be impossible to start the machine.
- after pressing button **8**: it will be impossible to change any other programme or option.

To enable or disable this option press simultaneously for about 6 seconds but-

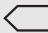
tons **4** and **5** until the symbol  comes on or disappears from the display.

6. WASHING PROGRAMMES


Programme Maximum and Minimum Temperature Type of Laundry Maximum Load	Cycle Description	Options
Cottons 95° - Cold Max. load 7 kg - Reduced load 3 kg White and coloured cotton (normally soiled items).	Main wash Rinses Long spin	SPIN REDUCTION RINSE HOLD STAIN ¹⁾ TIME SAVE ²⁾ EXTRA RINSE

Programme Maximum and Minimum Temperature Type of Laundry Maximum Load	Cycle Description	Options
Cottons + Prewash³⁾ 95° - Cold Max. load 7 kg - Reduced load 3 kg White and coloured cotton (normally soiled items).	Prewash Main wash Rinses Long spin	SPIN REDUCTION RINSE HOLD STAIN ¹⁾ TIME SAVE ²⁾ EXTRA RINSE
Synthetics 60° - Cold Max. load 3 kg - Reduced load 2 kg Synthetic or mixed fabrics: underwear, coloured garments, non-shrink shirts, blouses.	Main wash Rinses Short spin	SPIN REDUCTION RINSE HOLD STAIN ¹⁾ TIME SAVE ²⁾ EXTRA RINSE
Easy Iron 60° - Cold Max. load 1 kg Synthetic fabrics to be gently washed and spun. The laundry is gently washed and spun to avoid any creasing. Furthermore the machine will perform additional rinses.	Main wash Rinses Short spin	SPIN REDUCTION RINSE HOLD EXTRA RINSE
Delicates 40° - Cold Max. load kg 3 - Reduced load kg 2 Delicate fabrics: acrylics, viscose, polyester.	Main wash Rinses Short spin	SPIN REDUCTION RINSE HOLD STAIN ¹⁾ TIME SAVE ²⁾ EXTRA RINSE
Wool/Silk  40° - Cold Max. load 2 kg Machine washable wool as well as for hand washable woollens and delicate fabrics. Note: A single or bulky item may cause imbalance. If the appliance doesn't perform the final spin phase, add more items, redistribute the load manually and then select the spinning programme.	Main wash Rinses Short spin	SPIN REDUCTION RINSE HOLD
Sport Intensive 40° - Cold Max. load 3 kg Synthetic fabric items with normal soil.	Main wash Rinses Short spin	SPIN REDUCTION RINSE HOLD EXTRA RINSE


Programme Maximum and Minimum Temperature Type of Laundry Maximum Load	Cycle De- scription	Options
Spin Max. load 7 kg Separate spin for hand washed cotton garments and after programmes with the Rinse hold option set. Turn the programme dial to Off before setting this programme. Reduce the spin speed if needed.	Drain Long spin	SPIN REDUCTION
Drain Max. load 7 kg For emptying out the water of the last rinse in programmes with the Rinse hold option set.	Draining of water	
Delicate Rinses Max. load 7 kg Programme for rinsing and spinning items which have been washed by hand. The machine performs some rinses, followed by a final spin. The spin speed can be reduced.	Rinses Long spin	SPIN REDUCTION RINSE HOLD EXTRA RINSE
Jeans 60° - Cold Max. load 3 kg All items in jeans. Jersey made items with hi-tech materials.	Main wash Rinses Short spin	SPIN REDUCTION RINSE HOLD
Refresh 30° Max. load 3 kg Quick wash for sport items, or cotton and synthetic items lightly soiled or worn once.	Main wash Rinses Short spin	SPIN REDUCTION
Mix 20° 4) 20° Max. load 3 kg Special programme for cotton, synthetic and mixed fabrics with light soil. Set this programme to decrease the energy consumption. Make sure that the detergent is for low temperature in order to have good washing results.	Main wash Rinses Short spin	SPIN REDUCTION RINSE HOLD EXTRA RINSE

Programme Maximum and Minimum Temperature Type of Laundry Maximum Load	Cycle Description	Options
 Cottons Eco⁵⁾ 60° and 40° Max. load 7 kg White and fast coloured cotton. Normally and slightly soiled cotton items. The appliance decreases the temperature and extends the washing time to obtain a good washing efficiency so saving energy.	Main wash Rinses Long spin	SPIN REDUCTION RINSE HOLD STAIN EXTRA RINSE
Off For cancelling the running programme or to switch the machine off .		

- 1) Stain option can be selected only at the temperature of 40°C or higher.
- 2) If you select the Super Quick option by pressing button **6**, we recommend that you reduce the maximum load as indicated. Full loading is possible however with somewhat reduced cleaning results.
- 3) If using liquid detergents, a programme without PREWASH must be selected.
- 4) The appliance performs the short heating phase if the water temperature is below 20°C. The appliance can show the temperature setting as "cold".
- 5) **Standard programmes for the Energy Label consumption values.** According to regulation 1061/2010, these programmes are respectively the "standard 60° C cotton programme" and the "standard 40° C cotton programme". They are the most efficient programmes in terms of combined energy and water consumption for washing normally soiled cotton laundry.
 Set this programme to have a good washing results and decrease the energy consumption. The time of the washing programme is extended.

 The water temperature of the washing phase may differ from the temperature declared for the selected programme.

7. CONSUMPTION VALUES

 The data of this table are approximate. Different causes can change the data: the quantity and type of laundry, the water and ambient temperature.

Programmes	Load (Kg)	Energy consumption (kWh)	Water consumption (litre)	Approximate programme duration (minutes)	Remaining moisture (%) ¹⁾
Cottons 60 °C	7	1.35	67	150	52
Cottons 40 °C	7	0.85	67	140	52
Synthetics 40 °C	3	0.55	42	90	35

Programmes	Load (Kg)	Energy consumption (kWh)	Water consumption (litre)	Approximate programme duration (minutes)	Remaining moisture (%) ¹⁾
Delicates 40 °C	3	0.55	63	65	35
Wool/Hand wash 30 °C	2	0.25	55	60	30
Standard cotton programmes					
Standard 60 °C cotton	7	1.01	53	180	52
Standard 60 °C cotton	3.5	0.78	47	149	52
Standard 40 °C cotton	3.5	0.61	47	140	52

1) At the end of spin phase.

Off Mode (W)	Left On Mode (W)
0.10	0.98
The information given in the charts above are in compliance with the EU Commission regulation 1015/2010 implementing directive 2009/125/EC.	

8. FIRST USE

1. To activate the drain system, put 2 litre of water in the main wash compartment of the detergent dispenser.
2. Put a small quantity of detergent in the main wash compartment of the

detergent dispenser. Set and start a programme for cotton at the highest temperature without laundry. This removes all possible dirt from the drum and the tub.

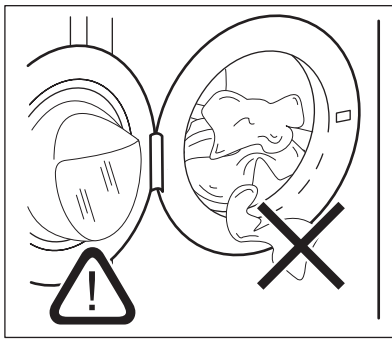
9. USING THE APPLIANCE

9.1 Loading the laundry

1. Open the appliance door.
2. Put the laundry in the drum, one item at a time. Shake the items be-

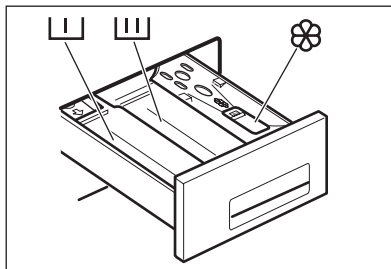
fore you put them in the appliance. Make sure not to put too much laundry in the drum.

3. Close the door.



Make sure that no laundry stays between the seal and the door. There is a risk of water leakage or damage to the laundry.

9.2 Filling the detergent and additives



The detergent compartment for the prewash phase, the soak programme and for the stain function. Add the detergent for prewash, soak and stain remover before the start of the programme.



The detergent compartment for the washing phase. If you use a liquid detergent, put it immediately before you start the programme.



Liquid additives compartment (fabric conditioner, starch). Put the product in the compartment before you start the programme.

MAX

This is the maximum level for the quantity of liquid additives.



Always obey the instructions that you find on the packaging of the detergent products.

9.3 Setting the programme (knob 1)

Turn the programme selector dial to the required programme.

The programme dial determines the type of washing cycle (e.g. water level, drum movement, number of rinses) and the washing temperature according to the type of laundry.

The pilot light of button **8** starts blinking.

The programme dial can be turned either clockwise or anticlockwise.

○ = Reset programme / switching OFF of the machine



If you turn the programme dial to another programme when the appliance is working, the yellow pilot light of button **8** blinks 3 times. The display shows the message **Err** to indicate a wrong selection. The machine will not perform the new set programme.

9.4 Setting the TEMPERATURE (button 2)



When setting a programme, the appliance automatically proposes the default temperature provided for that programme.

Press the button **2** repeatedly to increase or decrease the temperature, if you want your laundry to be washed at a different temperature. The wash with cold water is indicated with **Cold**.




For the maximum and the minimum available wash water temperature, see «Washing programmes».

9.5 Setting the SPIN speed (button 3)

When you set the programme, the appliance automatically proposes the maximum spin speed allowed by that programme.

Press this button repeatedly to change the spin speed. The relevant light will light up.

RINSE HOLD : the water of the last rinse is not emptied out to prevent the fabrics from creasing. When the programme has finished the display shows a blinking .

The **DOOR** pilot light goes on. The pilot light of button **8** is off. The door is blocked to indicate that the water must be emptied out.


To empty the water out please read chapter «At the end of the programme».

9.6 Setting the STAIN option (button 4)

Set this option to treat heavily soiled or stained laundry with stain remover. The appliance extends the main wash phase and intensifies the stain action phase. The relevant light illuminates.



This option **is not** available with a temperature lower than 40°C.

If you wish to perform a programme with the stain option, pour stain remover into compartment .

9.7 Setting the EXTRA RINSE option (button 5)

This appliance is designed for saving water.

However, for people with a very delicate skin (allergic to detergents) it may be necessary to rinse the laundry using an extra quantity of water (extra rinse). The appliance will perform some additional rinses.

9.8 SETTING PERMANENTLY THE EXTRA RINSE OPTION

If you wish to activate this option permanently press simultaneously buttons **2** and **3** for some seconds: the light **C** is on. If you wish to cancel it press the same buttons until the symbol disappears.

9.9 Setting the TIME SAVING option (button 6)

This option allows you to modify the washing time, automatically proposed by the appliance.

Press button **6**

once

DAILY	The relative pilot light comes on. The washing duration will be reduced to wash daily soiled laundry.
--------------	--

Press button **6** **twice**

SUPER QUICK	The relative pilot light remains lit. The washing duration will be reduced to wash lightly soiled laundry or items used or worn for a short time.
-------------	--

The display shows the decreased washing time.

9.10 Starting the programme (button 8)

Press the button **8** to start the programme. The corresponding red pilot light stops blinking.

The pilot light **A** is on to indicate that the appliance starts operating.

The pilot light **B** is on to indicate the door is locked.

Press the button **8** to interrupt a programme which is running. The corresponding red pilot light starts blinking.

Press the button **8** again to restart the programme from the point at which it was interrupted

If you have chosen a delayed start with button **9**, the machine will begin the countdown.

If you set an incorrect option, the yellow pilot light of the button **8** blinks for 3 times. The display shows the message

Err for some seconds.

9.11 Setting the DELAY START (button 9)

Press this button again an again to set the required delay.

The display shows the set delay time value (up to 20 hours) for some seconds, then it shows the duration of the programme again.

Set the delay **before** you press the button **8**.

You can delay the wash programme can be delayed from 30 min - 60 min - 90 min, 2 hours and then by 1 hour up to a maximum of 20 hours.

Adding items after you have set the delay (throughout the delay time the door will be locked):

- Press the button **8** to put the machine in pause
- Add the laundry, close the door .


- Press the button **8** again.

Setting the delayed start:

- Set the programme and the required options.
- Set the delay start.
- Press the button **8**: the appliance starts its hourly countdown.

The programme will start after the selected delay has expired.

Cancelling the delayed start:

- Press the button **8** to set the washing machine to PAUSE;
- Press the button **9** **once** until the display shows the symbol ;
- Press the button **8** again to start the programme.




You can change the set delay only after you set the washing programme again.

The Delay Start can not be selected with DRAIN programme.

9.12 Altering an option or a running programme

It is possible to change some options before the programme carries it out. Before you make any change, you must press the button **8** to pause the appliance.

Changing a running programme is possible **only by resetting it**.

Turn the programme dial to  and then to the new programme position.

Press the **8** button again to start the new programme. The washing water in the tub will not emptied out.

9.13 Interrupting a programme

Press the button **8** to interrupt a programme which is running, the corresponding light starts blinking. Press the button again to restart the programme.


9.14 Opening the door

When the machine is working and through the delay time, the door is locked.

If, for any reason, it is necessary to open it, firstly press the button **8** to set the machine to pause


If the light **B** after a few minutes goes off, the door can be opened.

If the light **B** stays on and the door remains locked, this means that the machine is already heating or that the water level is too high. In this case the door can not be opened.


If you cannot open the door but you need to open it, turn the programme dial to  to switch the machine off. After a few minutes the door can be opened (**pay attention to the water level and temperature !**).

After closing the door, it is necessary to set the programme and the options again. Press button **8** to start the programme again.

9.15 Cancelling a programme



Turn the selector dial to  to cancel a programme which is running. Now you can select a new programme.


9.16 At the end of the programme

The machine stops automatically. The pilot light of button **8**, the pilot lights **A** and **B** go off. A blinking  will appear on the display.

If you have set a programme or an option that ends with water in the tub, the light **B** remains lit. The door is locked. The water must be emptied out before opening the door. During this time the drum continues to turn at regular intervals until water drain.

Follow the below instructions to empty out the water:

- Turn the programme selector dial to 
- Set the DRAIN or SPIN programme
- Reduce the spin speed, if needed
- Press the button **8**
- When the programme has finished the display shows a blinking . The pilot light **B** goes off. The door can be opened.

Turn the programme selector dial to  to switch the machine off.

Remove the laundry from the drum and carefully check that the drum is empty. If you do not intend to carry out another wash, close the water tap. Leave the door open to prevent the formation of mildew and unpleasant smells.

Stand by : once the programme has finished after a few minutes the energy saving system will be enabled. The brightness of the display is reduced. By pressing any button the appliance will come out of the energy saving status.

10. HELPFUL HINTS AND TIPS

10.1 The laundry load

- Divide the laundry in: white, coloured, synthetics, delicates and wool.
- Obey the washing instructions that are on the laundry care labels.
- Do not wash together white and coloured items.
- Some coloured items can discolour with the first wash. We recommend that you wash them separately for the first times.
- Button up pillowcases, close zippers, hooks and poppers. Tie up belts.
- Empty the pockets and unfold the items.
- Turn inside out multilayered fabrics, wool and items with painted illustrations.
- Remove hard stains.
- Wash with a special detergent heavy soil stains.
- Be careful with the curtains. Remove the hooks or put the curtains in a washing bag or pillowcase.
- Do not wash in the appliance :
 - Laundry without hems or with cuts
 - Underwired bras.
 - Use a washing bag to wash small items.

- A very small load can cause balance problems with the spin phase. If this occurs, adjust manually the items in the tub and start the spin phase again.

10.2 Stubborn stains

For some stains, water and detergent is not sufficient.

We recommend that you remove these stains before you put the items in the appliance.

Special stain removers are available. Use the special stain remover that is applicable to the type of stain and fabric.

10.3 Detergents and additives

- Only use detergents and additives specially made for washing machines.
- Do not mix different types of detergents.
- To help the environment, do not use more than the correct quantity of detergent.
- Obey the instructions that you find on the on packaging of these products.
- Use the correct products for the type and colour of the fabric, the programme temperature and the level of soil.

- If you use liquid detergents, do not set the prewash phase.
- If your appliance has not the detergent dispenser with the flap device, add the liquid detergents with a dosing ball.

10.4 Water hardness

If the water hardness in your area is high or moderate, we recommend that you use a water softener for washing machines. In areas where the water hardness is soft it is not necessary to use a water softener.

To know the water hardness in your area, contact your local water authority.

Obey the instructions that you find on the packaging of the products.

Equivalent scales measure the water hardness:

- German degrees (°dH).
- French degrees (°TH).
- mmol/l (millimol for each litre - international unit for the hardness of water).
- Clarke degrees.

Water hardness table

Level	Type	Water hardness			
		°dH	°T.H.	mmol/l	Clarke
1	soft	0-7	0-15	0-1.5	0-9
2	medium	8-14	16-25	1.6-2.5	10-16
3	hard	15-21	26-37	2.6-3.7	17-25
4	very hard	> 21	> 37	>3.7	>25

11. CARE AND CLEANING



WARNING!

Disconnect the appliance from the mains supply before you clean it.

11.1 Descaling

The water we use contains limescale. If it becomes necessary, use a water softener to remove limescales.

Use a special product made for washing machines. Obey the instructions that you

find on the packaging of the manufacturer.
Do this separately from the laundry wash.



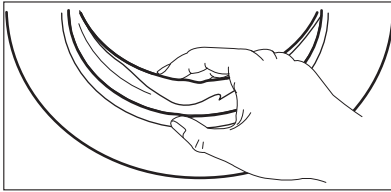
CAUTION!

Do not use alcohol, solvents or chemical products.

11.2 External cleaning

Clean the appliance only with soap and warm water. Fully dry all the surfaces.

11.3 Door seal



Regularly examine the seal and remove all objects from the inner part.

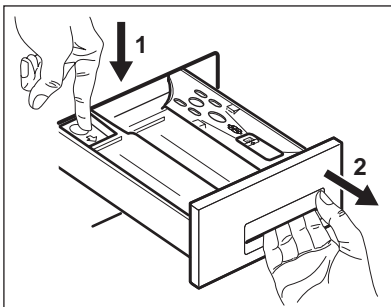
11.4 Drum

Regularly examine the drum to prevent limescale and rust particles. Only use special products to remove rust particles from the drum. To do this:

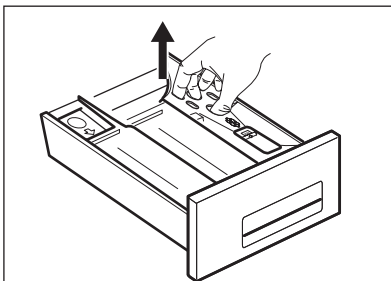
- Clean the drum with special product for stainless steel.
- Start a short programme for cotton at the maximum temperature with a small quantity of detergent.

11.5 Detergent dispenser

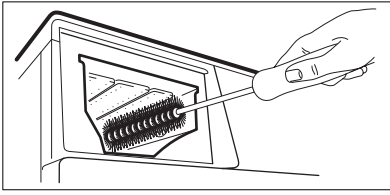
To clean the dispenser:



1. Press the lever.
2. Pull the dispenser out.



3. Remove the top part of the liquid additive compartment.
4. Clean all the parts with water.



5. Clean the dispenser recess with a brush.
6. Put back the dispenser in the recess.

11.6 Drain pump

The pump should be inspected regularly and particularly if:

- the appliance does not empty and/or spin;
- the appliance makes an unusual noise during draining due to objects such as safety pins, coins etc. blocking the pump;
- a problem with water draining is detected (see chapter "Troubleshooting" for more details).

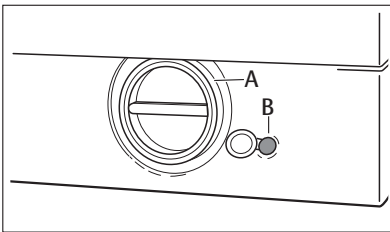


WARNING!

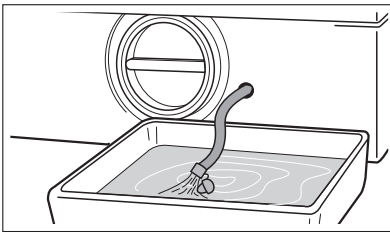
Before unscrewing the pump cover, switch the appliance off and remove the mains plug from the socket.

Proceed as follows:

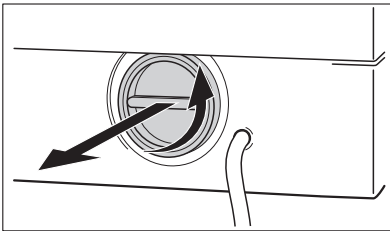
1. Unplug the appliance.
2. If it is necessary, wait until the water has cooled down.



3. Place a container close to the pump to collect any spillage.

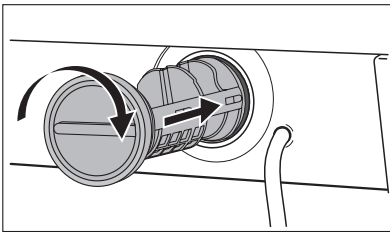
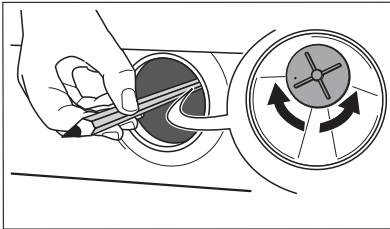
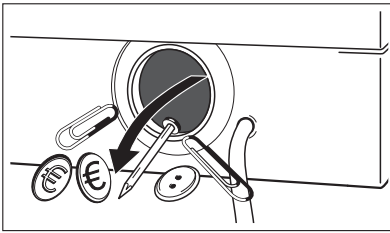


4. Release the emergency emptying hose (B), place it in the container and remove its cap cover.



5. When no more water comes out, unscrew the pump cover (A) by turning it anti-clockwise and remove the filter. Use pliers, if necessary.

Always keep a rag nearby to dry up any water spillages when removing the cover. Clean the filter under a tap, to remove any traces of fluff.



6. Remove foreign bodies and fluff from the filter seat and from the pump impeller.
7. Check carefully whether the pump impeller rotates (it rotates jerkily). If it doesn't rotate, please contact your Service Centre.
8. Put the cap back on the emergency emptying hose and place the latter back in its seat.
9. Replace the filter into the pump by inserting it correctly into the special guides. Screw the pump cover firmly by turning it clockwise.



WARNING!

When the appliance is in use and depending on the programme selected there can be hot water in the pump. Never remove the pump cover during a wash cycle, always wait until the appliance has finished the cycle, and is empty. When refitting the pump cover, ensure it is securely re-tightened so as to stop leaks and young children being able to remove it.

11.7 The inlet hose filter and the valve filter

It could be necessary to clean the filters when:

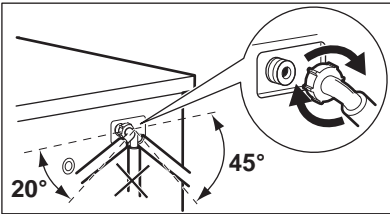
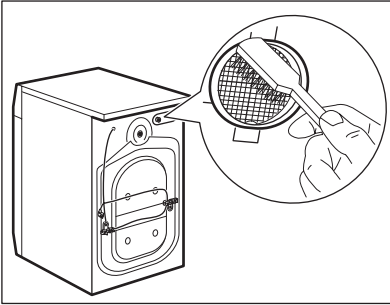
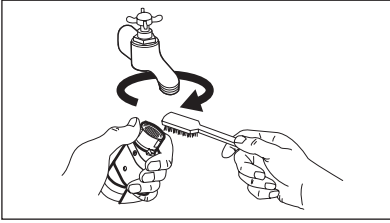
- The appliance does not fill with water.
- The appliance fills with the water for a long time.
- The indicator of button **8** flashes and the display shows the related alarm. Refer to 'Troubleshooting'.



WARNING!

Disconnect the mains plug from the mains socket.

To clean the water inlet filters:



1. Close the water tap.
2. Remove the water inlet hose from the water tap.
3. Clean the filter in the inlet hose with a stiff brush.
4. Remove the inlet hose behind the appliance.
5. Clean the filter in the valve with a stiff brush or a towel.
6. Install again the inlet hose. Make sure that the couplings are tight to prevent leakages.
7. Open the water tap.

11.8 Emergency emptying out

If the water is not discharged, proceed as follows to empty out the appliance:

1. pull out the plug from the power socket;
2. close the water tap;
3. if necessary, wait until the water has cooled down;
4. place a bowl on the floor;
5. place the end of the emergency emptying hose into the bowl;
6. Remove its cap. The water should drain by gravity into the bowl. When the bowl is full, put the cap back on the hose. Empty the bowl;
Repeat the procedure until water stops flowing out;
7. clean the pump if necessary as previously described;

8. replace the emergency emptying hose in its seat after having plugged it;
9. screw the pump again.

11.9 Frost precautions

If the machine is installed in a place where the temperature could drop below 0°C, proceed as follows:

1. close the water tap;
2. unscrew the water inlet hose from the tap;
3. place the end of the emergency emptying hose and that of the inlet hose in a bowl placed on the floor. Let water drain out;
4. screw the water inlet hose back on;
5. put the cap on the emergency emptying hose again;
6. reposition the emergency emptying hose.

By doing this, any water remaining in the machine is removed, avoiding ice forming and consequently damage to the appliance.

When you use the machine again, make sure that the ambient temperature is above 0°C.

12. TROUBLESHOOTING

Certain problems are due to lack of simple maintenance or oversights, which can be solved easily without calling out an engineer. Before contacting your local Service Centre, please carry out the checks listed below.

During machine operation it is possible that the **yellow** pilot light of button **8** blinks, one of the following alarm codes appears on the display and at the same time some acoustic signals sound every 20 seconds to indicate that the machine is not working:

- **E10** : problem with the water supply
- **E20** : problem with the water draining
- **E40** : door open
- **EFO** : anti-flooding system has activated

Once the problem has been eliminated, press the button **8** to restart the programme. If after all checks, the problem persists, contact your local Service Centre.

Problem	Possible cause/Solution
<p>The washing machine does not start:</p>	<p>The door has not been closed. E40</p> <ul style="list-style-type: none"> • Close the door firmly. <p>The plug is not properly inserted in the power socket.</p> <ul style="list-style-type: none"> • Insert the plug into the power socket. <p>There is no power at the socket.</p> <ul style="list-style-type: none"> • Please check your domestic electrical installation. <p>The main fuse has blown.</p> <ul style="list-style-type: none"> • Replace the fuse. <p>The programme dial is not correctly positioned and the button 8 has not been pressed.</p> <ul style="list-style-type: none"> • Please turn the programme dial and press the button 8 again. <p>The delay start has been set.</p> <ul style="list-style-type: none"> • If the laundry is to be washed immediately, cancel the delay start. <p>The Child safety lock has been activated.</p> <ul style="list-style-type: none"> • Deactivate this device.

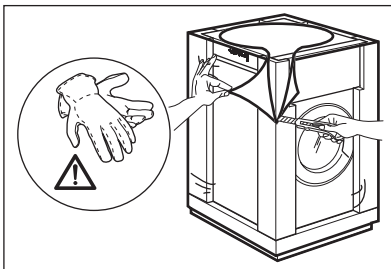
Problem	Possible cause/Solution
The machine does not fill:	<p>The water tap is closed. <i>E10</i></p> <ul style="list-style-type: none"> • Open the water tap. <p>The inlet hose is squashed or kinked. <i>E10</i></p> <ul style="list-style-type: none"> • Check the inlet hose connection. <p>The filter in the inlet hose or the inlet valve filter are blocked. <i>E10</i></p> <ul style="list-style-type: none"> • Clean the water inlet filters. (See "Cleaning the water inlet filters" for more details) <p>The door is not properly closed. <i>E40</i></p> <ul style="list-style-type: none"> • Close the door firmly.
The machine fills then empties immediately:	<p>The end of the drain hose is too low.</p> <ul style="list-style-type: none"> • Refer to relevant paragraph in «Water drainage» section.
The machine does not empty and/or does not spin:	<p>The drain hose is squashed or kinked. <i>E20</i></p> <ul style="list-style-type: none"> • Check the drain hose connection. <p>The drain filter is clogged. <i>E20</i></p> <ul style="list-style-type: none"> • Clean the drain filter. <p>You have set an option or a programme that ends with the water still in the tub or a that eliminates all the spinning phases.</p> <ul style="list-style-type: none"> • Set the draining or the spinning programme. <p>The laundry is not evenly distributed in the drum.</p> <ul style="list-style-type: none"> • Redistribute the laundry.
There is water on the floor:	<p>Too much detergent or unsuitable detergent (creates too much foam) has been used.</p> <ul style="list-style-type: none"> • Reduce the detergent quantity or use another one. <p>Check whether there are any leaks from one of the inlet hose fittings. It is not always easy to see this as the water runs down the hose; check to see if it is damp.</p> <ul style="list-style-type: none"> • Check the water inlet hose connection. <p>The drain or the inlet hose is damaged.</p> <ul style="list-style-type: none"> • Replace it with a new one. <p>The cap on the emergency emptying hose has not been replaced or the filter has not been properly screwed in after cleaning action.</p> <ul style="list-style-type: none"> • Refit the cap on the emergency emptying hose or screw the filter fully in.

Problem	Possible cause/Solution
Unsatisfactory washing results:	<p>Too little detergent or unsuitable detergent has been used.</p> <ul style="list-style-type: none"> • Increase the detergent quantity or use another one. <p>Stubborn stains have not been treated prior to washing.</p> <ul style="list-style-type: none"> • Use commercial products to treat the stubborn stains. <p>The correct temperature was not selected.</p> <ul style="list-style-type: none"> • Check if you have selected the correct temperature. <p>Excessive laundry load.</p> <ul style="list-style-type: none"> • Reduce the laundry load.
The door will not open:	<p>The programme is still running.</p> <ul style="list-style-type: none"> • Wait the end of washing cycle. <p>The door lock has not been released.</p> <ul style="list-style-type: none"> • Wait until the DOOR light has gone off. <p>There is water in the drum.</p> <ul style="list-style-type: none"> • Select drain or spin programme to empty out the water.
The machine vibrates or is noisy:	<p>The transit bolts and packing have not been removed.</p> <ul style="list-style-type: none"> • Check the correct installation of the appliance. <p>The support feet have not been adjusted</p> <ul style="list-style-type: none"> • Check the correct levelling of the appliance. <p>The laundry is not evenly distributed in the drum.</p> <ul style="list-style-type: none"> • Redistribute the laundry. <p>Maybe there is very little laundry in the drum.</p> <ul style="list-style-type: none"> • Load more laundry.
Spinning starts late or the machine does not spin:	<p>The electronic unbalance detection device has cut in because the laundry is not evenly distributed in the drum. The laundry is redistributed by reverse rotation of the drum. This may happen several times before the unbalance disappears and normal spinning can resume. If, after some minutes, the laundry is still not evenly distributed in the drum, the machine will not spin.</p> <ul style="list-style-type: none"> • The laundry load is perhaps too little, add more items, redistribute the load manually and then select the spinning programme.
The machine makes an unusual noise:	<p>The machine is fitted with a type of motor which makes an unusual noise compared with other traditional motors. This new motor ensures a softer start and more even distribution of the laundry in the drum when spinning, as well as increased stability of the machine.</p>

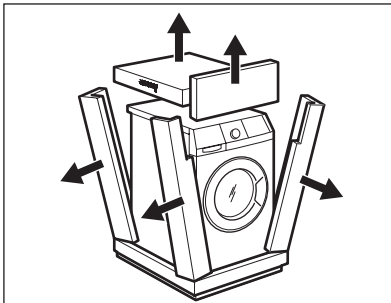
Problem	Possible cause/Solution
No water is visible in the drum:	Machines based on modern technology operate very economically using very little water without affecting performance.
The display shows the alarm code <i>EFO</i> :	Anti-flooding system has activated. <ul style="list-style-type: none"> • Pull out the plug from the power socket, close the water tap and contact the Service Force Centre.

13. INSTALLATION

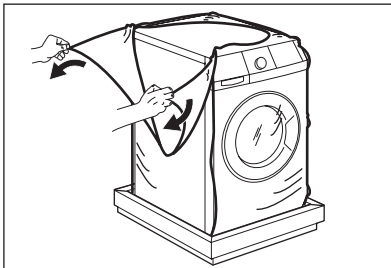
13.1 Unpacking



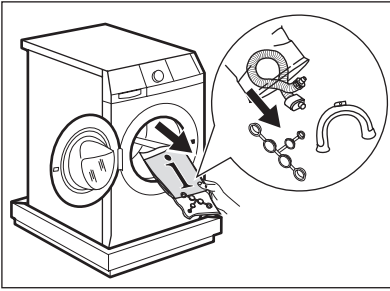
1. Use the gloves. Remove the external film. If necessary, use a cutter.



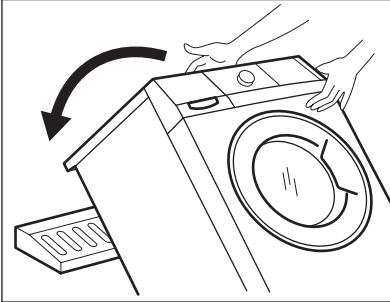
2. Remove the cardboard top.
3. Remove the polystyrene packaging materials.



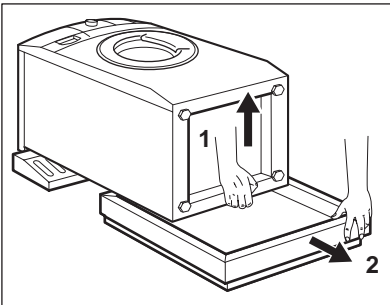
4. Remove the internal film.



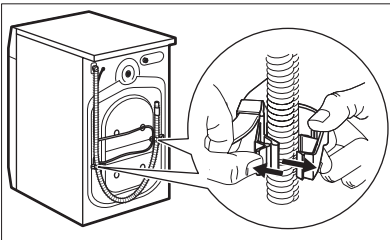
5. Open the door. Remove the polystyrene piece from the door seal and all the items from the drum.



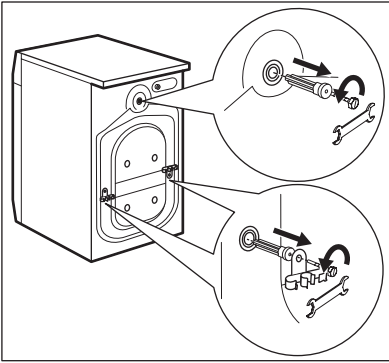
6. Put one of the polystyrene packaging elements on the floor behind the appliance. Carefully put down the appliance with the rear side on it. Make sure not to damage the hoses.



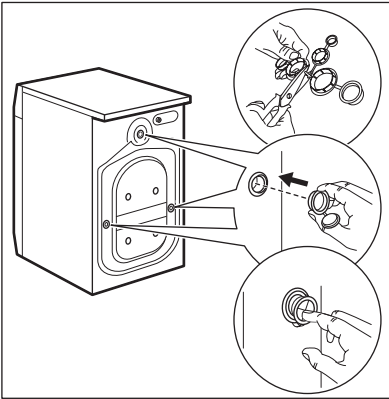
7. Remove the polystyrene protection from the bottom.
8. Pull up the appliance in vertical position.



9. Remove the power supply cable and the drain hose from the hose holders.



10. Remove the three bolts. Use the key supplied with the appliance.
11. Pull out the plastic spacers.



12. Put the plastic caps in the holes. You can find these caps in the user manual bag.



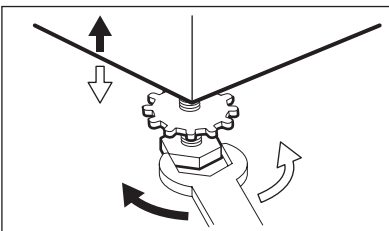
WARNING!

Remove all the packaging and the transit bolts before you install the appliance.

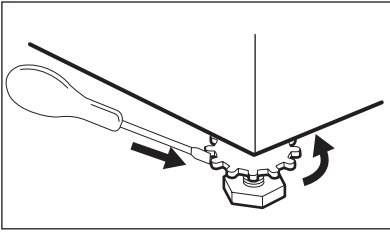


We recommend that you keep the packaging and the transit bolts for when you move the appliance.

13.2 Positioning and levelling



- Install the machine on a flat hard floor.
- Make sure that air circulation around the machine is not impeded by carpets etc.
- Carefully level by screwing the adjustable feet in or out.



- After having levelled the appliance, tighten the lock nuts.
- The appliance must be level and stable.



Never place cardboard, wood or similar materials under the machine to compensate for any unevenness in the floor.

If it is impossible to avoid positioning the machine next to a gas cooker or coalburning stove, an insulating panel covered with aluminium foil on the side facing the cooker or stove, must be inserted between the two appliances. Before placing it on small tiles, apply a rubber coating.

The water inlet hose and the drain hose must not be kinked.



CAUTION!

The machine must not be installed in rooms where the temperature can drop below 0°C.

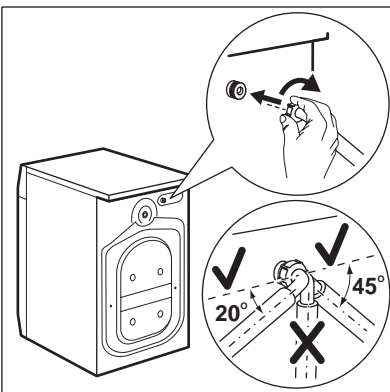
Raising the appliance

Suspended wooden floors are particularly susceptible to vibration

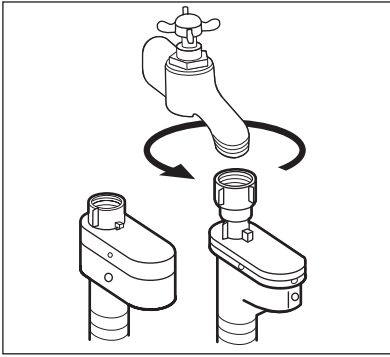
. To help prevent vibration we recommend you place a waterproof wood panel, at least 15 mm thick under the appliance, secured to at least 2 floor beams with screws, the wood panel must extend beyond the front feet.

If possible install the appliance in one of the corners of the room, where the floor is more stable

13.3 The inlet hose



- Connect the hose to the appliance. Turn the inlet hose only left or right. Loose the ring nut to set it in the correct position.



- Connect the water inlet hose to the cold water tap with 3/4 thread.



CAUTION!

Make sure that there are no leaks from the couplings.



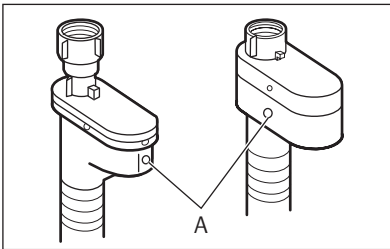
Do not use an extension hose if the inlet hose is too short. Contact the service centre for the replacement of the inlet hose.

If you can not connect the water inlet hose to the cold water tap of the primary hydraulic system, connect it to your domestic cold water storage system. Make sure not to have more than a distance of 5.02 m (16.5 ft) between the appliance inlet hose and the bottom of the water storage tank.

Water pressure

The appliance works correctly if the water pressure is not less than 0.05 MPa (0.5 bar).

Water-stop device

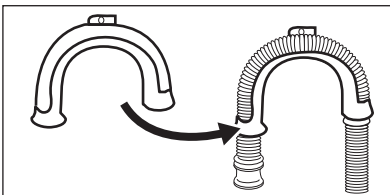


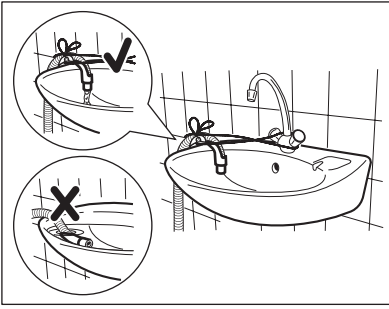
The inlet hose has a water stop device. This device prevents water leaks in the hose because of its natural ageing. The red sector in the window «A» shows this fault. If this occur, close the water tap and contact the service centre to replace the hose.

13.4 Water drainage

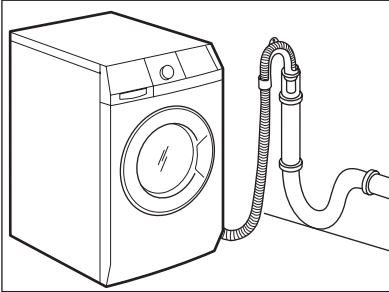
There are different procedures to connect the drain hose:

With the plastic hose guide.

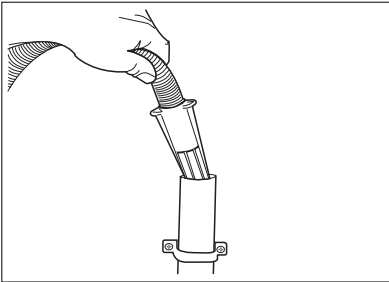




- On the edge of a sink.
- Make sure that the plastic guide cannot move when the appliance drains. Attach the guide to the water tap or the wall.

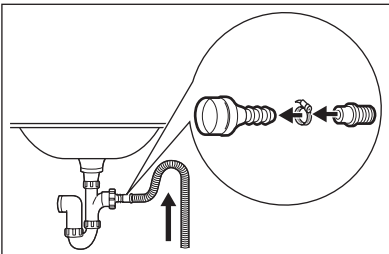


- To a stand pipe with vent-hole.
Refer to the illustration. Directly into a drain pipe at a height of not less than 60 cm (23.6") and not more than 100 cm (39.3"). The end of the drain hose must always be ventilated, i.e. the inner diameter of the drainpipe (min. 38 mm — min. 1.5") must be larger than the external diameter of the drain hose.

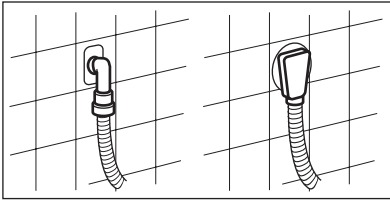


- If the end of the drain hose is this (see the drawing), you can push it directly into the stand pipe.

Without the plastic hose guide.



- To a sink spigot.
Refer to the illustration. Put the drain hose in the spigot and tighten it with a clip. Make sure that the drain hose makes a loop to prevent that remaining particles go in the appliance from the sink.

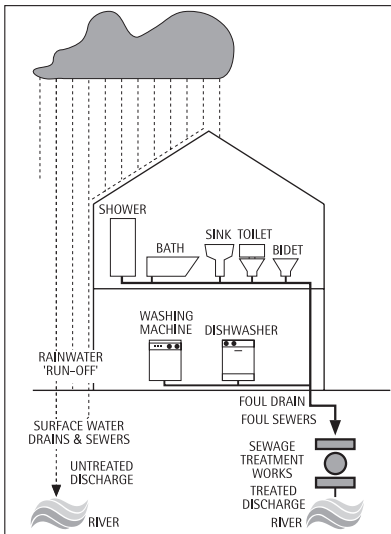


- Directly to a built-in drain pipe in the room wall and tighten it with a clip.



You can extend the drain hose to maximum 400 cm. Contact the service centre for the other drain hose and the extension.

13.5 In the interest of the environment



- Connect the appliance to the FOUL system for the drain water. The sewage works keeps the drain water for the treatment before to release safely it into a river. Do not connect this appliance to the surface drain system of the water because it releases the drain water directly into a river or stream without a treatment and this can cause of pollution. Contact your local water authority to have more information.

14. BUILDING IN

14.1 Building in

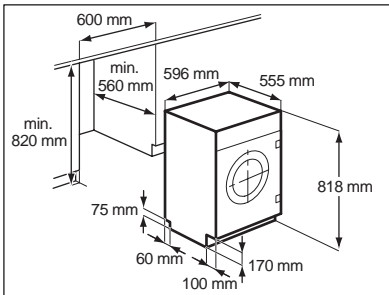


Fig.1

- This appliance has been designed to be built into the kitchen furniture. The recess should have the dimensions shown in Fig 1.

Preparation and assembly of the door

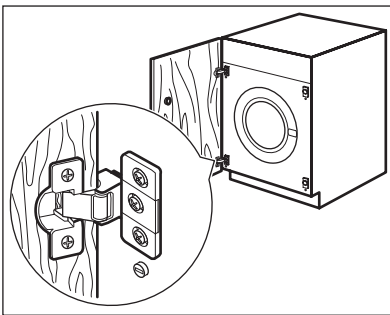


Fig. 2

- The machine is originally pre-arranged for the assembly of a door opening from right to left (Fig. 2).

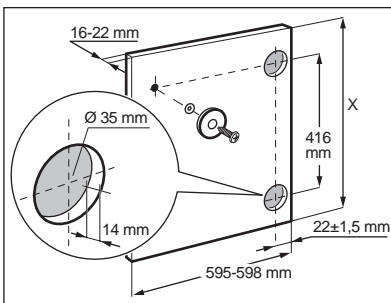


Fig. 3

- **Door**
The dimensions of the door should be:
 - width 595-598 mm
 - thickness 16-22 mm
 - the height **X** depends on the height of the adjacent furniture's base (Fig. 3).

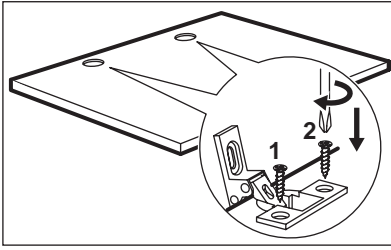


Fig. 4

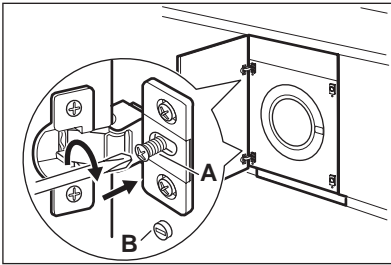


Fig. 5

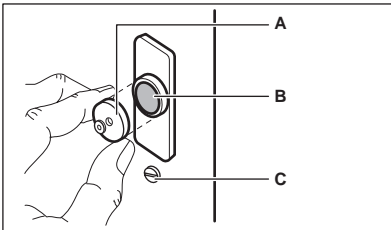


Fig. 6

• **Hinges**

To mount the hinges it is necessary to drill two holes (dia. 35 mm, depth 12.5-14 mm depending on the depth of door furniture) on the inner side of the door. The distance between the holes hobs fixing centres must be 416 mm.


The distance from upper edge of the door to the centre of the hole depends on the adjacent furniture's dimensions.

The hinges will be fixed to the door by means of screws for wood **1** and **2** (Fig. 4) supplied with the appliance.

• **Mounting the door**

Fix the hinges to the appliance by means of the M5x15 screws. The hinges can be adjusted to compensate for possible uneven thickness of the door.


To align the door perfectly it is necessary to loosen the screw, adjust the door and tighten the screw **A** again (Fig. 5).

 Do not remove the screw **B** (Fig. 5).

• **Counter-magnet**

The appliance is prearranged for a magnetic closure of the door. To enable a correct operation of this device, it is necessary to screw the counter-magnet **A** (steel disk + rubber ring) into the inner side of the door.

Its position must correspond to the magnet **B** on the appliance (Fig. 6).

 Do not remove the screw **C**.

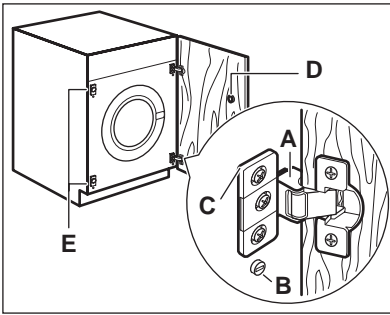


Fig. 7

If the door has to be opened from left to right, invert the position of the plates **E**, the magnet **D** and the plate **C**. Mount the counter-magnet **D** and the hinges **A** as previously described (Fig. 7)

**CAUTION!**

Do not remove the screw **B**.

15. ENVIRONMENT CONCERNS

Recycle the materials with the symbol ♻️. Put the packaging in applicable containers to recycle it. Help protect the environment and human health and to recycle waste of electrical and electronic

appliances. Do not dispose appliances marked with the symbol ~~X~~ with the household waste. Return the product to your local recycling facility or contact your municipal office.

www.aeg.com/shop



1 32927082-A-262013



perfekt in form und funktion